






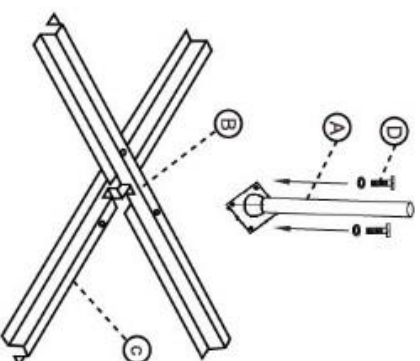


Assembly Instructions for Hanging Umbrella

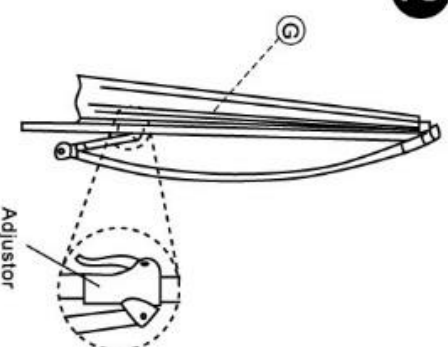
Parts List

Image	Code	Name	Qty
	A	Pole of Cross Base	1
	B	Top of Cross Base	1
	C	Bottom of Cross Base	1
	D	Screw of Cross Base	4
	E	Tightening Screw	2
	F	Spanner	1
	G	Main Cover	1

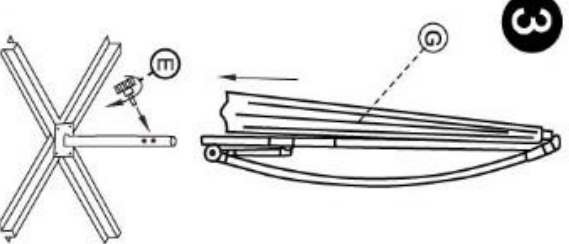
1



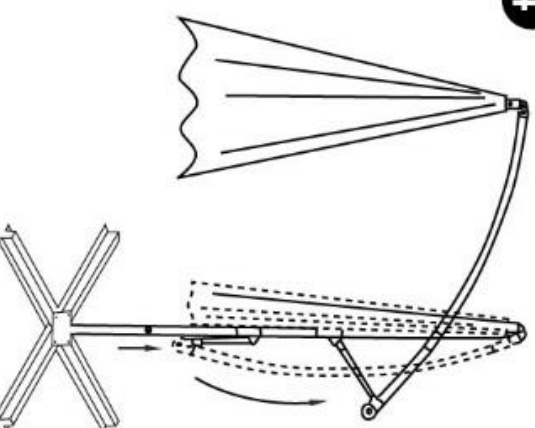
2



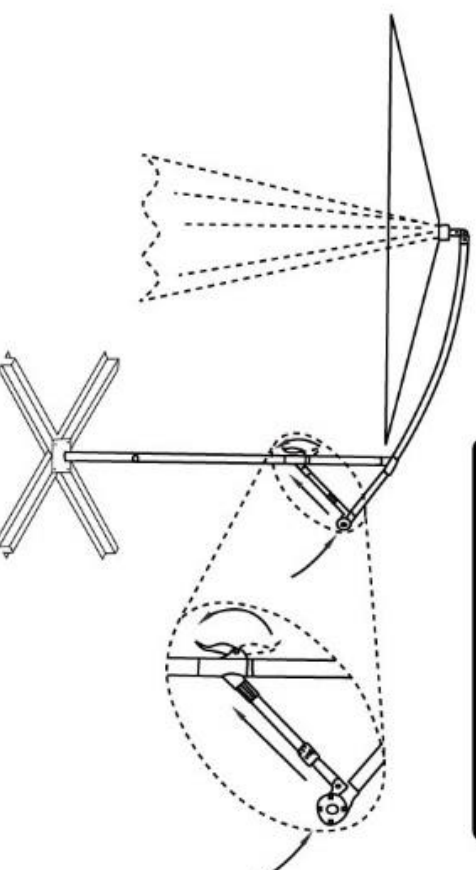
3



4



5



Suggestions
 1. Two person at least.
 2. Assembled on the flat, soft ground.
 3. Household multipurpose spanner is useful.

Notes: Do not tighten bolts fully until parts all are connected!