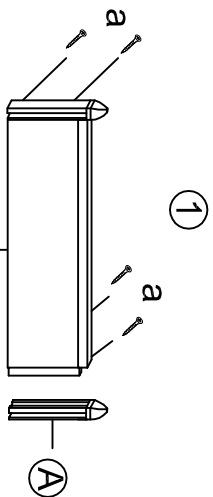


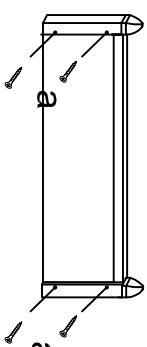
Assembly instruction for LS6558D



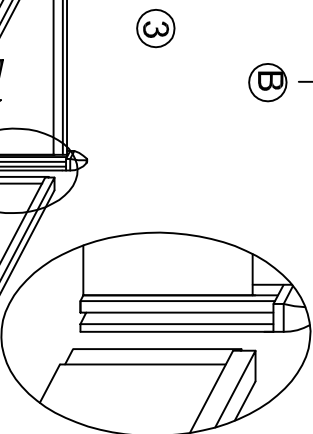
①

Suggestions

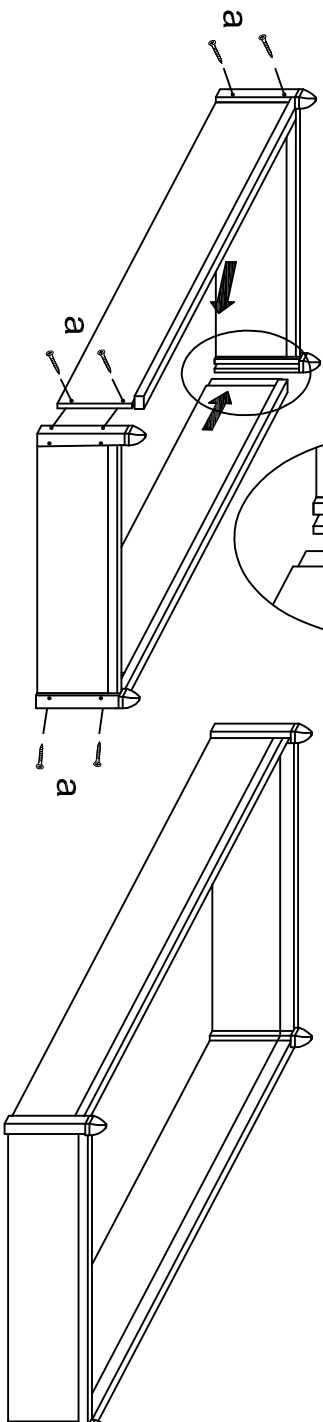
1. Two person at least.
2. Assembled on the flat, soft ground.
3. Screw driver.



②






③



④

Part List

Part No.	Part Image	Part Name	QTY
A		wooden pole	4
B		wooden panel	4
a		4.2X30mm screw	16

NOTES: Do not tighten bolts fully until parts all are connected