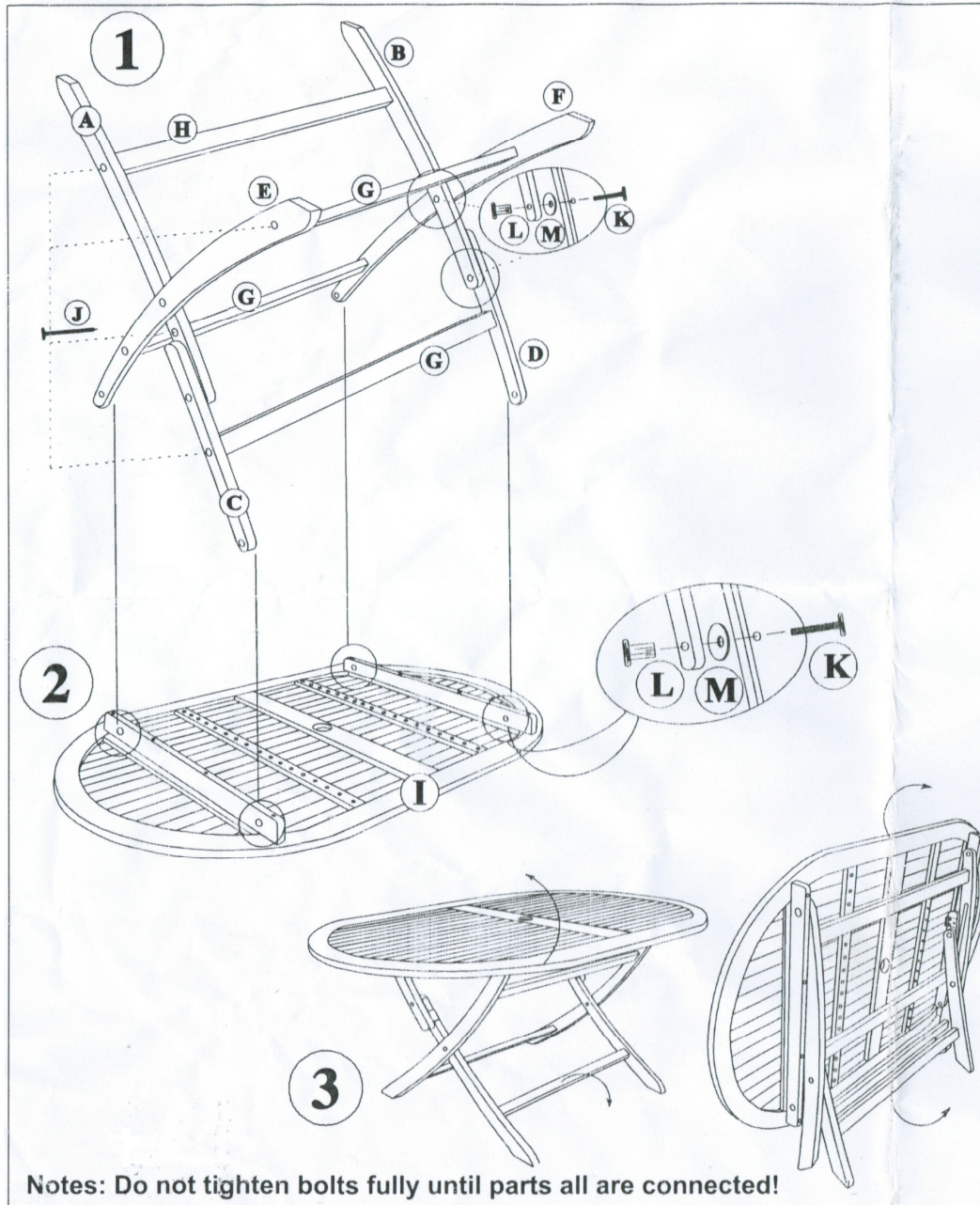


Assembly Instructions for LS6582D



Parts List

Part No.	Part Image	Part Name	QTY
A		Table short leg - left	1
B		Table short leg - right	1
C		Leg connector - left	1
D		Leg connector - right	1
E		Table long leg - left	1
F		Table long leg - right	1
G		Leg joining bar - long	3
H		Leg joining bar - short	1
I		Table top	1
J		Screw M7x60mm	8
K		Bolt M8x35mm	8
L		Capnut M8x15mm	8
M		Plastic washer M8.5x20x2mm	8
N		Allen key M4	2

Suggestions

1. Two persons at least
2. Assembled on the flat, soft ground