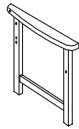

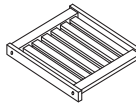
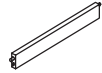

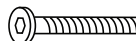


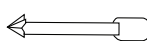


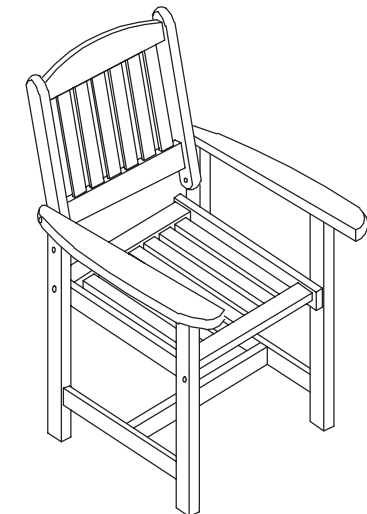
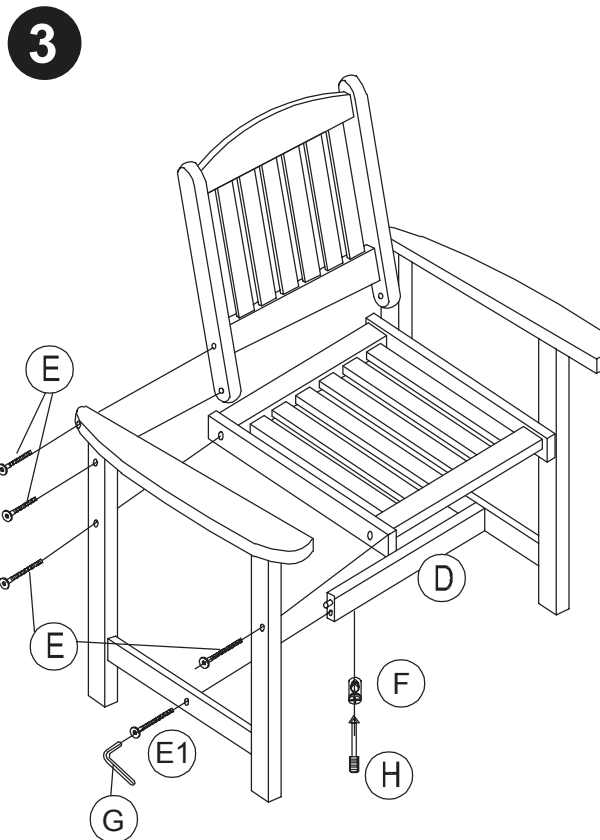
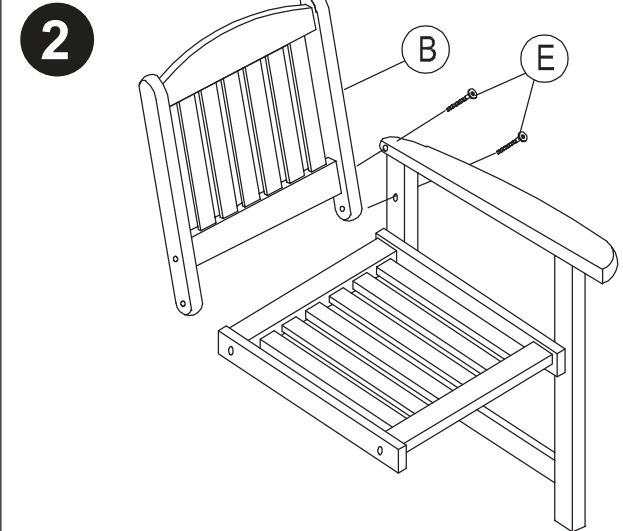
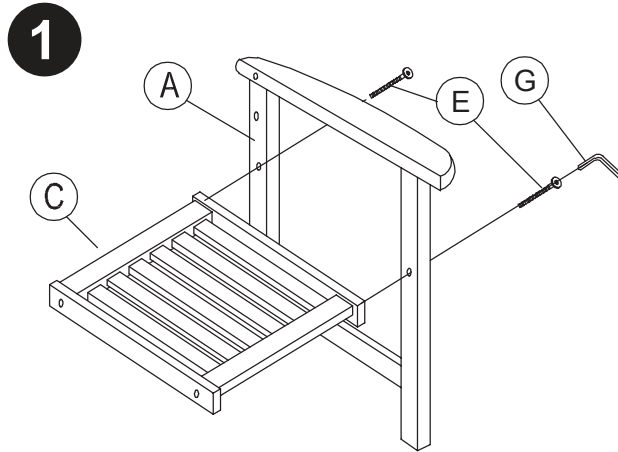
Assembly Instructions for LS6663D

Parts

Part No.	Part Image	Part Name	QTY
A		Seat Armrest Left & Right	2
B		Back Rest	1
C		Seat Panel	1
D		Bottom Cross Rail	1

Hardware

Part No.	Part Image	Part Name	QTY
E		Flat Head Screw, M6x40mm	8
E1		Flat Head Screw, M6x60mm	2
F		Barrel Nut	2
G		Allen Key	1
H		Barrel Nut Tool	1



Suggestions
 1. Two person suggested.
 2. Assembled on the flat, soft ground.

Notes: Do not tighten bolts fully until parts all are connected!