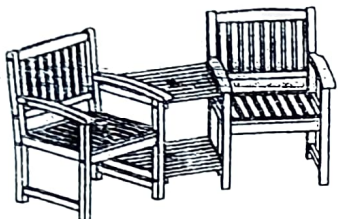


ASSEMBLY INSTRUCTION FOR OS0300D

DESCRIPTION

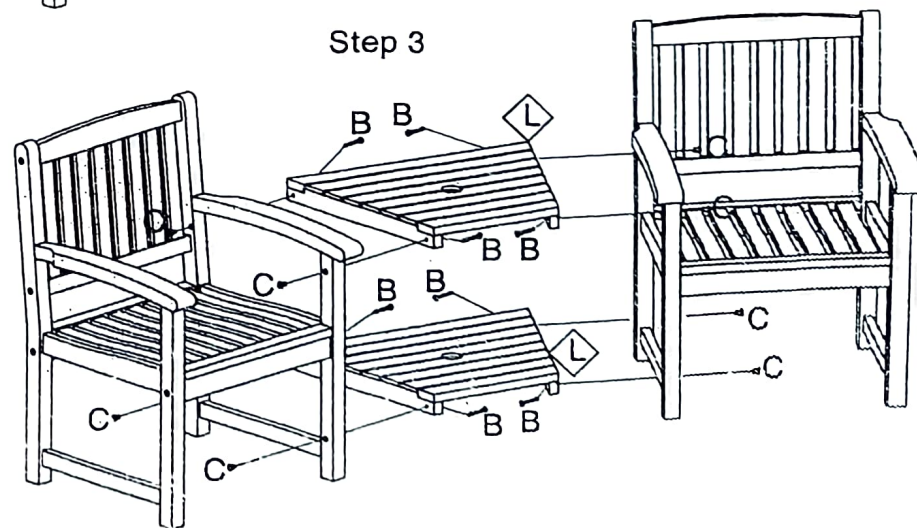
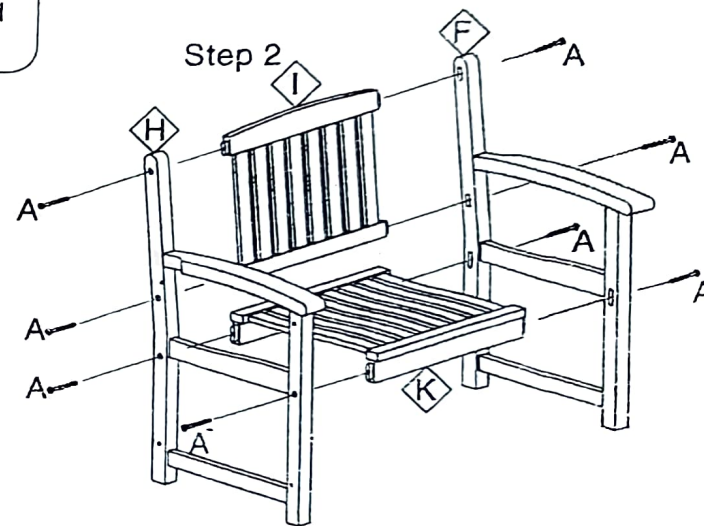
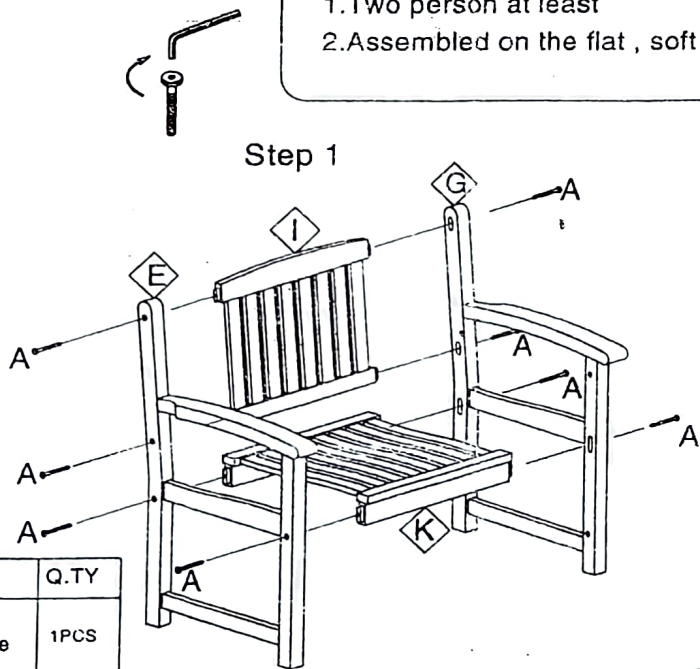


Suggestions

1. Two person at least
2. Assembled on the flat, soft ground

No.	Part Image	Part Name	Q.TY
A		7x90x15 screw	16PCS
B		M6x55x13 bolt	8PCS
C		M6x15x13 nut	8PCS
D		M4 allenkey	2PCS

No.	Part Image	Part Name	Q.TY
E		Outside left frame	1PCS
F		Outside right frame	1PCS
G		Inside right frame	1 PCS
H		Inside left frame	1 PCS
I		Back panel	2 PCS
K		Seat Panel	2PCS
L		Table top	2PCS



Notes : Do not tighten bolts fully until parts all are connected !